

CABLE MANAGEMENT SPINE ASSEMBLY INSTRUCTION

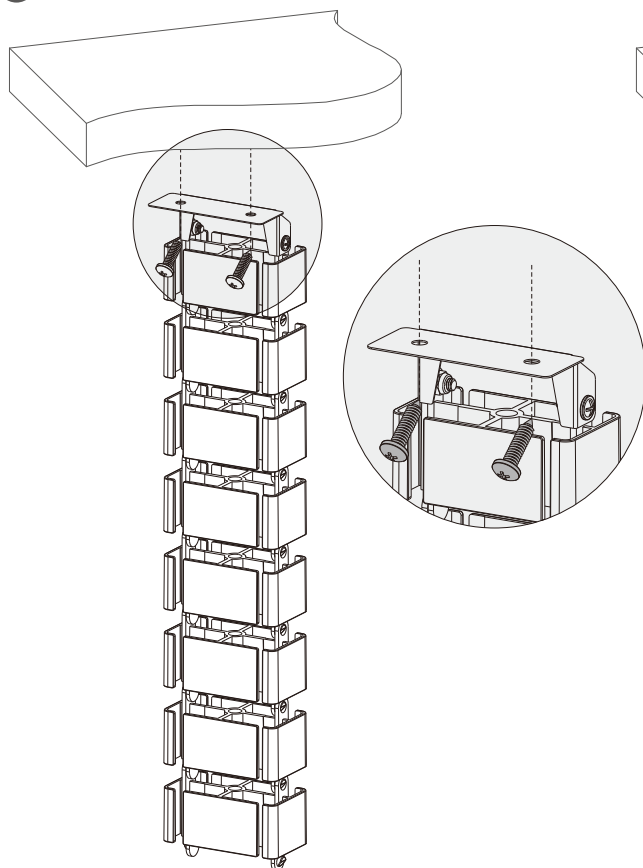
83765

83766

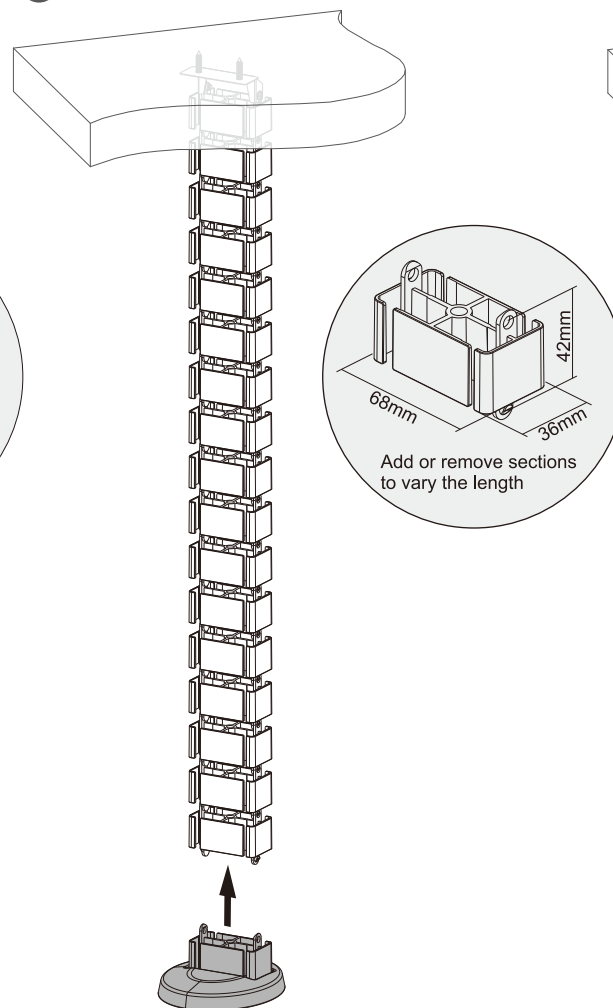
83767

Accessory:  X2

1



2



3

