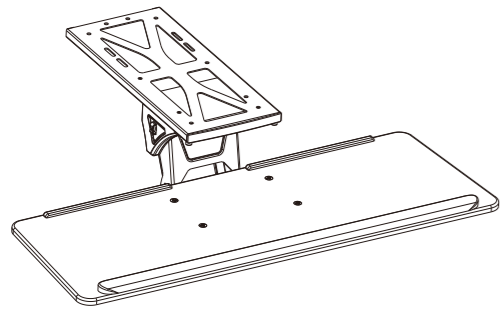


Item No.:KT101

INSTRUCTIONS



Parts List:

- A: St14.8x20mm (8PCS)
- B: Φ5 washer (8PCS)
- C: M4x8mm (2PCS)
- D: M5x12mm (4PCS)
- E: Cable Clip (2PCS)
- F: M5x6 Screws (8PCS)

Other Parts:

- Corner Connector (4PCS)
- Plastic Cap (1PC)
- Long Pad (1PC)
- Installation Panel (1PC)
- Holder (1PC)
- Keyboard Tray (1PC)

STEP 1-C

Option C: Angled corners are suitable for table bottoms with beams (covered table tops)

1 Corner Connector

2 Reserve the according place and mark the positions for drilling.

3 Beam Height $\leq 60\text{mm}$

4

Attention: The panel opening should be outward during the installation.

Attention: Install the panel where the keyboard tray should be installed.

Drill the marked positions.

Install the panel under the table board with screws A and washers B, and then tighten the screws.

STEP 1-A

Option A: Install panel to the table board (Unobstructed table)

1 Reserve the according place and mark the positions for drilling.

2

3

Attention: The panel opening should be outward during the installation.

Attention: Install the panel under the table board with screws A and washers B, and then tighten the screws.

Drill the marked positions.

STEP 2

Install holder

1

2 Install the plastic cap to the panel opening.

3 Install and tighten screws C.

Screwdriver

Install the holder in the panel opening.

STEP 1-B

Option B: Angled corners are suitable for table bottoms with beams (covered table tops)

1 Corner Connector

2 Reserve the according place and mark the positions for drilling.

3 Beam Height $\leq 60\text{mm}$

4

Attention: Do not install the panel at the panel opening.

Attention: Install the panel under the table board with screws A and washers B, and then tighten the screws.

Drill the marked positions.

STEP 3

Install keyboard tray

1 Long Pad

2 Install the keyboard tray, fix it with screw (D)

1 Choose to install the long pad or not according to actual needs.

Screwdriver

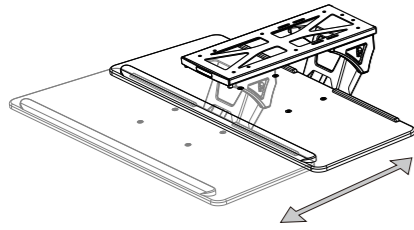
Rotary knob

Caution: If the keyboard tray can't match the mounting holes, please loosen the rotary knob in the lower right before installation.

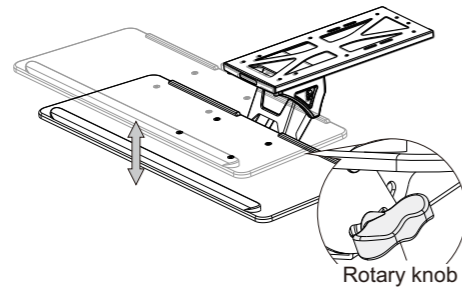
STEP 4

Adjust the keyboard tray

1 The keyboard tray can be moved forward or backward

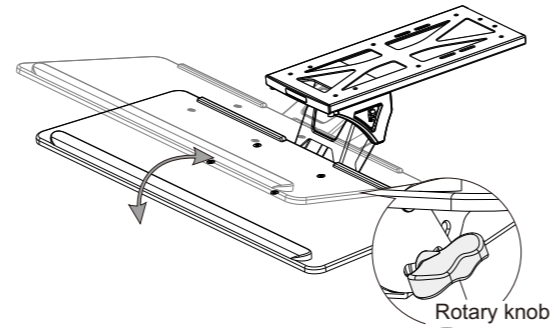


2 The keyboard tray is height adjustable



Please loosen the rotary knob in the lower right first, then adjust the height of the keyboard tray for using it in comfort, tighten the rotary knob after adjusting.

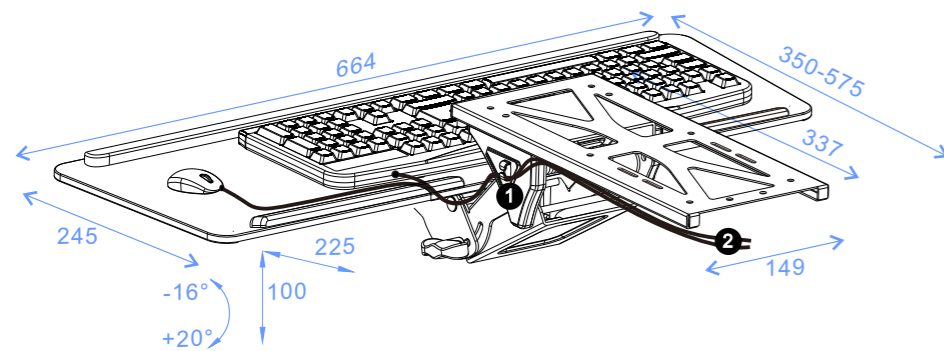
3 The keyboard tray is angle adjustable



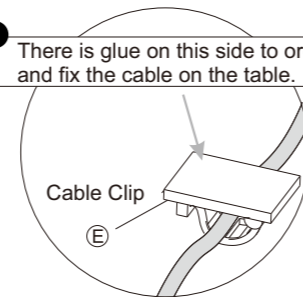
please loosen the rotary knob in the lower right first, then adjust the tilt angle of the keyboard tray for using it in comfort, tighten the rotary knob after adjusting.

STEP 5

1 The keyboard tray is movable and can move in or out



2 There is glue on this side to organize and fix the cable on the table.



Tidy cables: Fix the mouse cable and key bus to the table board with cable clip E.



CAUTION

This product contains small items that could be a choking hazard if swallowed. Keep these items away from young children.

- Make Sure these instructions are read and completely understood before attempting installation. If you are unsure of this installation, please contact a professional installer for assistance.
- Please check joint parts every two months and tighten the screws where required.
- Do not exceed the max loading capacity (2.2 lbs) 1 Kg when using, or it may cause product failure or personal injury.

Note: This product is intended for indoor use. Use of this product outdoors could lead to product failure or personal injury.